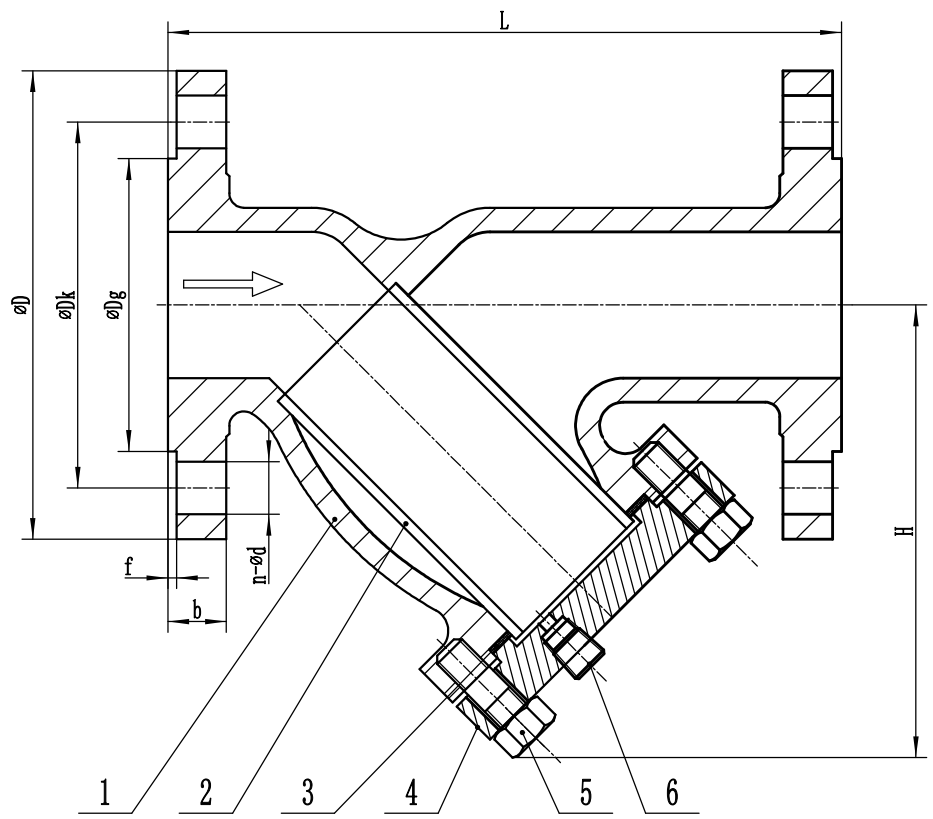


Nominal Pressure	PN
Shell test pressure	1.5PN
Working Temperature	-10~200°C
Medium	water, gas, oil



Technical Requirement

- 1.The drilling of flanges is according to DIN 2501;
- 2.The structure length of the valve is according to DIN 3202 F1.

DN	L	D	Dk	d	n	Dg	f	b	H
15	130	95	65	14	4	46	2	14	75
20	150	105	75	14	4	56	2	16	90
25	160	115	85	14	4	65	3	16	90
32	180	140	100	19	4	76	3	18	100
40	200	150	110	19	4	84	3	18	110
50	230	165	125	19	4	99	3	20	130
65	290	185	145	19	4	118	3	20	145
80	310	200	160	19	8	132	3	22	170
100	350	220	180	19	8	156	3	24	200
125	400	250	210	19	8	184	3	26	240
150	480	285	240	23	8	211	3	26	275
200	600	340	295	23	12	266	3	30	350
250	730	405	355	28	12	319	3	32	430
300	850	460	410	28	12	370	4	32	540
350	980	520	470	28	16	429	4	36	630
400	1100	580	525	31	16	480	4	38	730

6		Plug	1	Steel			
5		Cover	1	GGG50			
4		Bolts	4	Steel 8.8			
3		Body Gasket	1	Graphite			
2		Screen	1	304			
1		Body	1	GGG50			
No.	Code	Name	Qty.	Material	Single	Total	Remark
					Weight	Weight	
				Assembly Drawing		Bundor Valve Technology CO.,Ltd	
				Y type Filter			
Drawn		Stage Marker		Weight	Scale		
					1:2.5		
Total Page:				Page:			
						GL41H-16Q DN15-400	